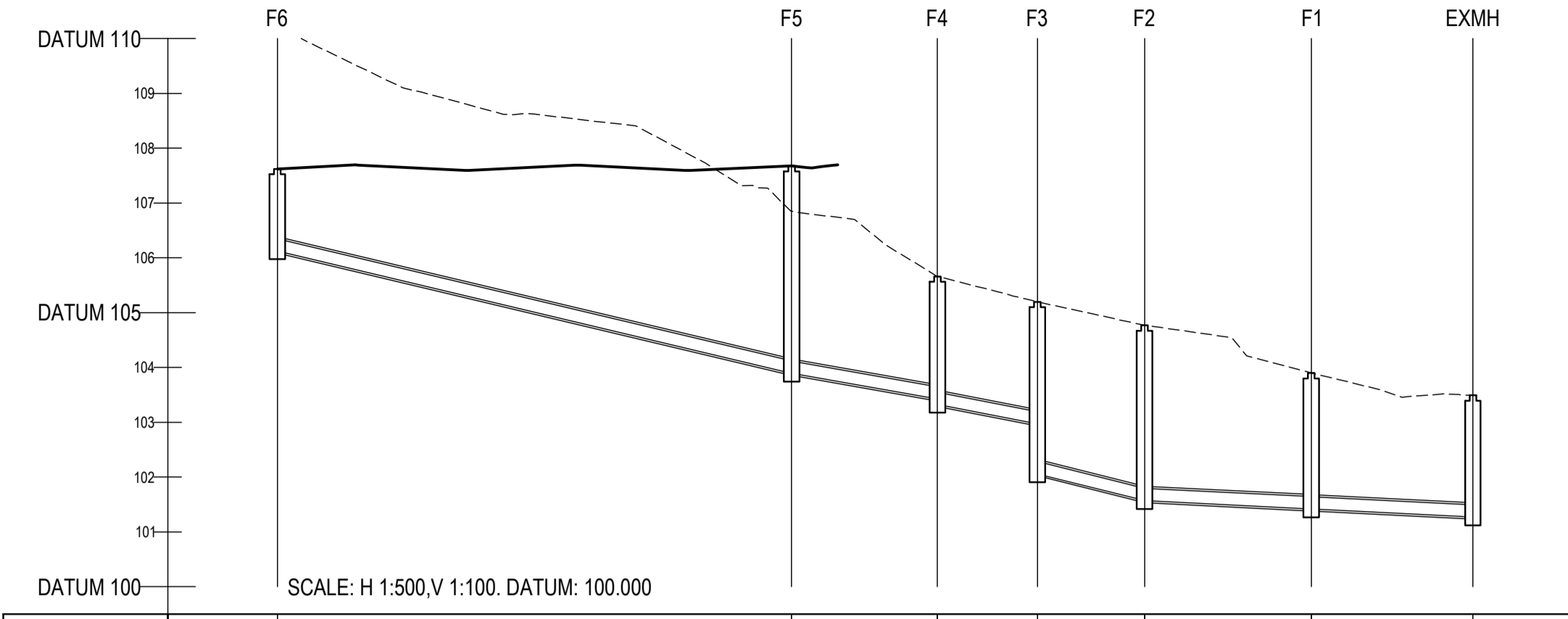


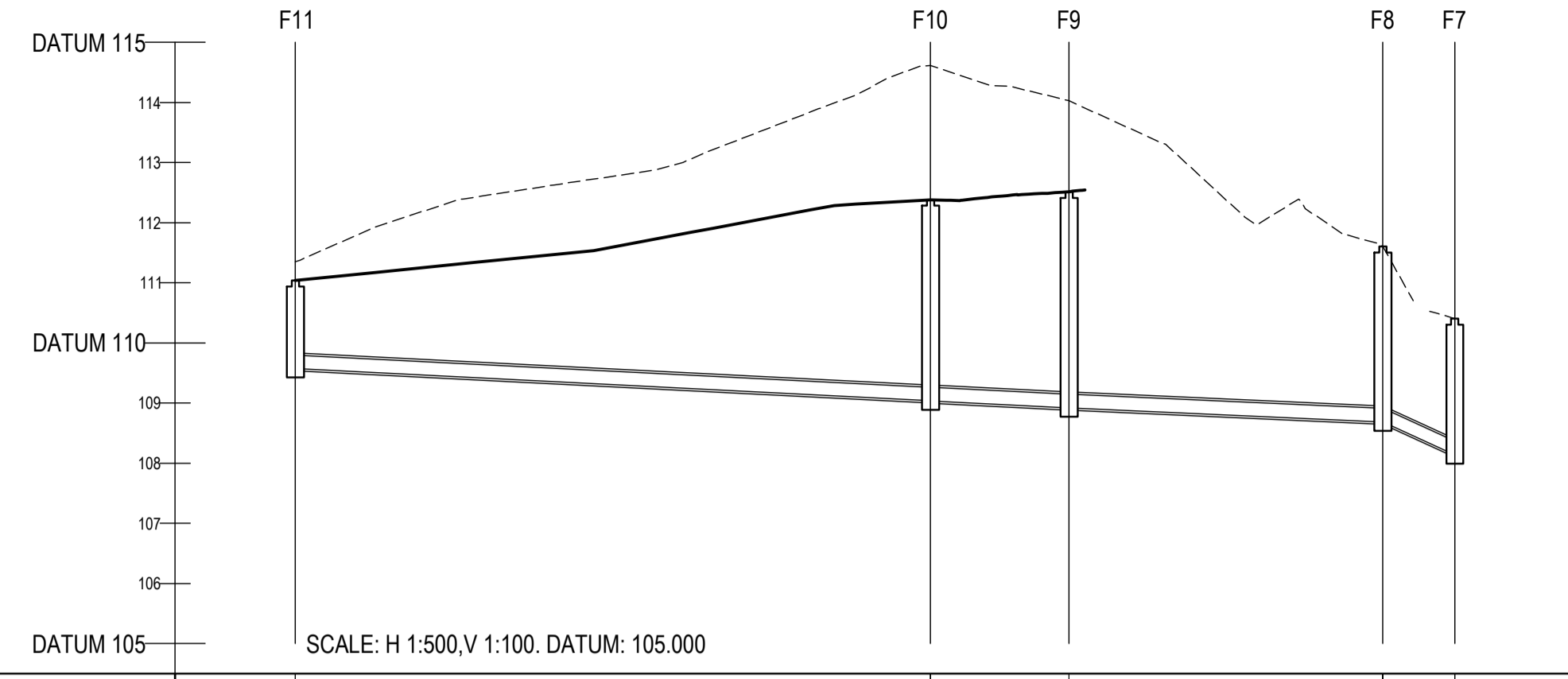
© COPYRIGHT OF THIS DRAWING IS RESERVED BY DBFL CONSULTING ENGINEERS. NO PART SHALL BE REPRODUCED OR TRANSMITTED WITHOUT THEIR WRITTEN PERMISSION.

NO CHANGES OF WHATSOEVER NATURE ARE TO BE MADE TO ANY DETAILS SET OUT OR CONTAINED IN ANY DBFL SPECIFICATIONS OR DRAWINGS UNLESS THE EXPRESS CONSENT HAS BEEN OBTAINED IN ADVANCE, IN WRITING, FROM DBFL.

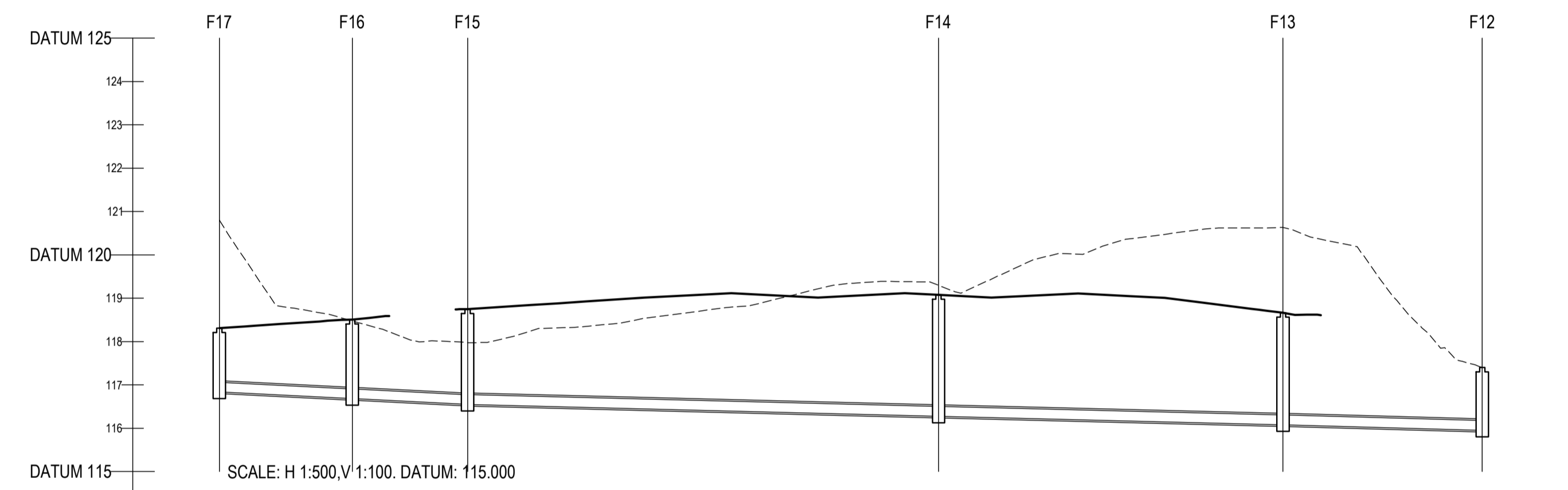
- NOTES:
1. ALL DRAWINGS TO BE CHECKED BY CONTRACTOR ON SITE AND ENGINEER INFORMED OF DISCREPANCIES BEFORE WORK COMMENCES
  2. ALL LEVELS ARE IN METRES AND ARE RELATED TO ORDNANCE DATUM
  3. CONTRACTOR SHALL SATISFY HIMSELF AS TO THE ACCURACY OF PAVEMENT LEVELS ON SITE PRIOR TO COMMENCEMENT OF WORKS ON SITE
  4. ALL WORKS TO BE CONSTRUCTED IN ACCORDANCE WITH THE NRA SPECIFICATION FOR ROAD WORKS UNLESS NOTED OTHERWISE
  5. THIS DRAWING IS FOR PLANNING PURPOSES ONLY
  6. MANHOLE COVER LEVELS ARE TO CONFORM WITH FINISHED ROAD AND PATH LEVELS
  7. WHERE COVER TO PIPE IS LESS THAN 100mm (ROADPATH/VERGE) OR 900mm (OPEN SPACE) SURROUND PIPE IN MINIMUM 150mm CONCRETE



COVER LEVEL	107.624	107.677	106.662	105.198	104.789	103.902	103.494
INVERT LEVEL	106.125	103.893	103.425	102.970	101.570	101.418	101.270
DEPTH (m)	1.499	3.784	2.337	3.138	3.199	2.484	2.224
DISTANCE (m)		46.91	13.30	9.12	9.78	15.21	14.75
PIPE SLOPE		1:21	1:28	1:26	1:20	1:100	1:100
PIPE SIZE		225mm	225mm	225mm	225mm	225mm	225mm



COVER LEVEL	111.042	112.383	112.515	111.606	110.403
INVERT LEVEL	109.575	109.037	108.922	108.687	108.140
DEPTH (m)	1.467	3.346	3.593	2.919	2.263
DISTANCE (m)		52.83	11.51	26.10	5.99
PIPE SLOPE		1:98	1:100	1:111	1:11
PIPE SIZE		225mm	225mm	225mm	225mm



COVER LEVEL	118.307	118.502	118.743	119.074	118.864	117.401
INVERT LEVEL	116.835	116.681	116.549	116.276	116.078	115.950
DEPTH (m)	1.472	1.821	2.194	2.798	2.786	1.451
DISTANCE (m)		15.33	13.30	54.33	39.73	22.98
PIPE SLOPE		1:100	1:101	1:199	1:201	1:180
PIPE SIZE		225mm	225mm	225mm	225mm	225mm

KEY  
 - - - - - EXISTING GROUND PROFILE  
 ————— PROPOSED GROUND PROFILE

rev	date	description	by	chkd.
A		Approved		
B		Approved with comments		
C		Do not use		

suitability  issue purpose

SO - WORK IN PROGRESS PLANNING

**DBFL Consulting Engineers**  
 Civil, Structural & Transportation Engineering  
 www.dbfl.ie

DUBLIN OFFICE: Ormond House, Upper Ormond Quay, Dublin 7, D07 W7X4  
 PHONE +353 1 450 4300

CORK OFFICE: 14 South Mall, Cork, T12 CT91  
 PHONE +353 21 204538

WATERFORD OFFICE: Suite 10 The Atrium, Maritime Gate, Canada Street, Waterford, X91 W028  
 PHONE +353 51 309 500

project ref.  
**WHITE PINES CENTRAL  
 RESIDENTIAL DEVELOPMENT**

drawing title  
**FOUL SEWER LONGSECTIONS**

client  
**ARDSTONE HOMES**

designed by	author	scale	sheet size
SPB	###	AS SHOWN	A1

drawing no.	revision
190004-DBFL-CS-SP-DR-C-3002	P0